

# ELECTRIC CUTTING SHEARS TS QE

Models: TS QE 480 | TS QE 640



## DYNAMIC SEPARATION

- Servo-electric eccentric drive with torque motor
- High performance control with modern control technology
- Fast cycle time (up to 50 ms)

## PRECISE CUTTING

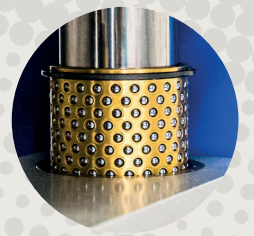
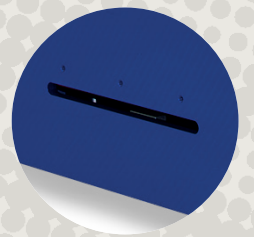
- High-quality 4-column guides with ball bearings
- Continuously adjustable cutting force
- Simple and precise adjustment of the cutting gap possible

## SIMPLE & VERSATILE

- Multi-part blades for simple or sequential replacement
- Reversible cutting bar can be used twice
- More reliable removal of cutting waste due to improved outlet
- Optimized access for cleaning and blade replacement

## VERSATILE USE

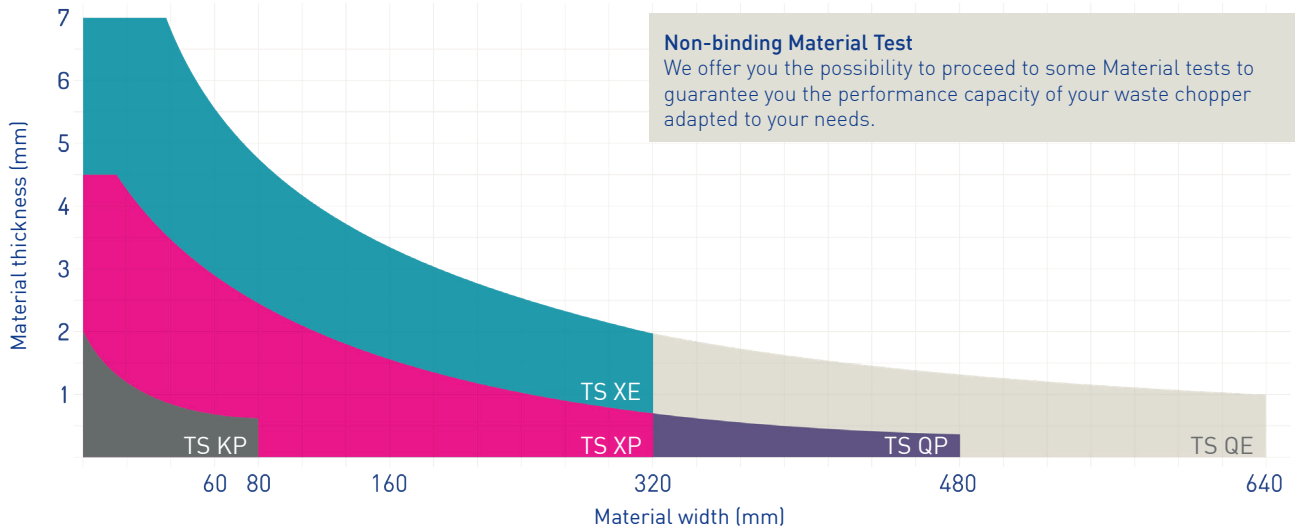
- Steel knives for demanding materials
- Pressers (recommended for materials less than 0.5 mm thick)
- Profiled cuts, longitudinal cutting blades for wide cutting grids
- One-piece top knife for precision cutting



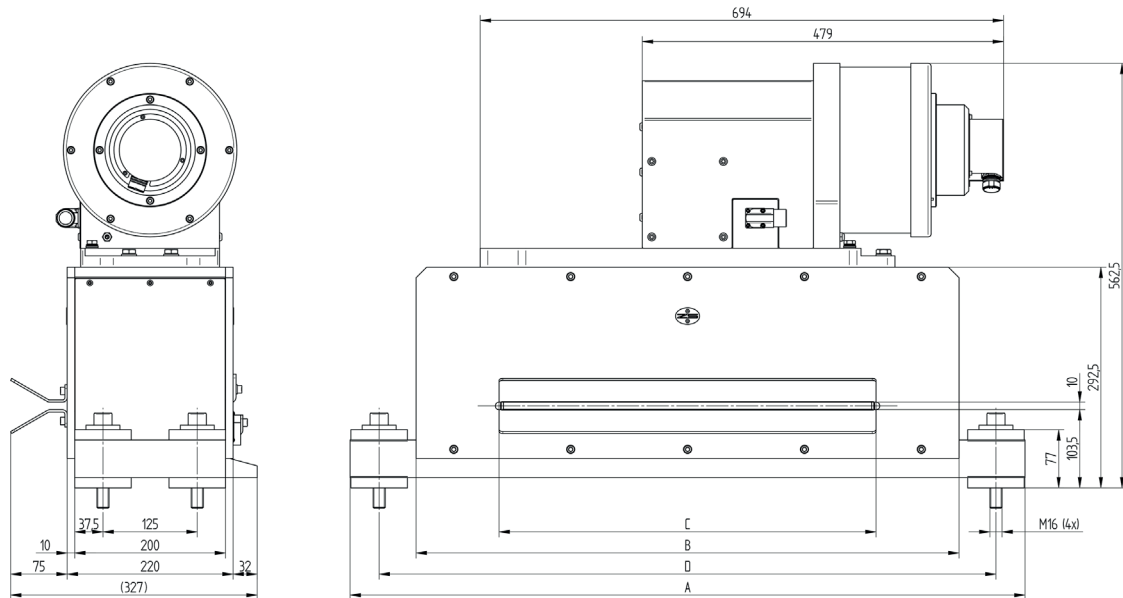
# ELECTRIC CUTTING SHEARS TS QE



PERFORMANCE



TECHNICAL SPECIFICATIONS



MODEL	TS QE	480	640
Cutting width max. (mm)		480	640
Support width A (mm)		895	1055
Body width B (mm)		720	900
Opening width C (mm)		494	654
Mounting distance D (mm)		818	978
Material height max. (mm)		7	
Cutting force max. (kN)		70	
Strokes (ms)		70	
Weight (kg)		225	295

## SWITZERLAND

Zehnder & Sommer AG  
CH-3400 Burgdorf  
info@zehndersommer.com  
Tel +41 31 800 00 00

## GERMANY

Zehnder & Sommer GmbH  
DE-58452 Witten  
info@zehndersommer.de  
Tel +49 2302 981 60 30

zehndersommer.com  
ZSswiss.com