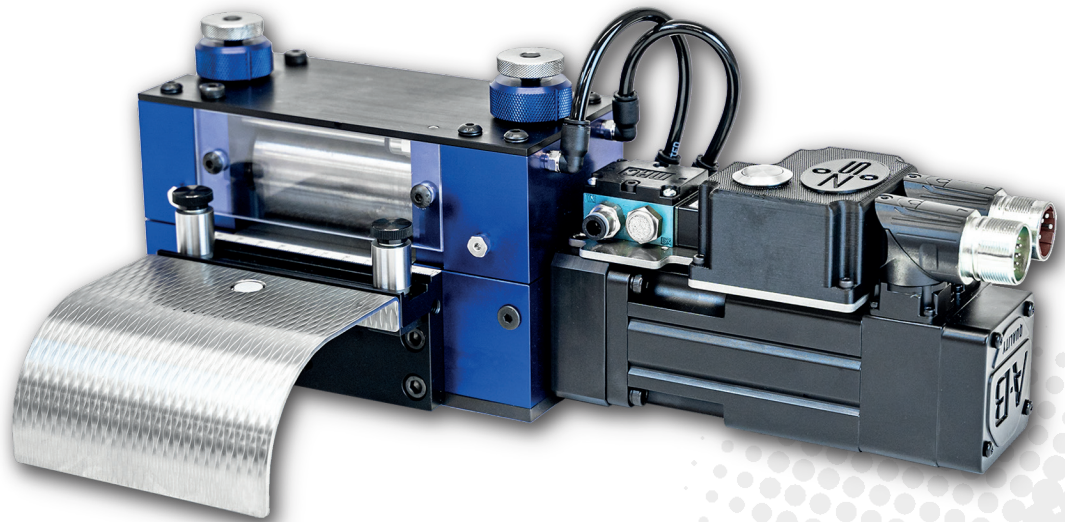


Small servo roll feed

COMPACT EV DR SE

Models: EV DR 040 SE | EV DR 080 SE | EV DR 160 SE | EV DR 240 SE



COMPACT. PROVEN. PRECISE.

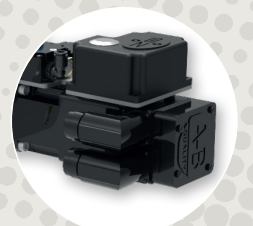
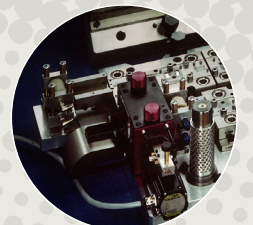
- Compact servo motor with precision encoder
- Direct driven lower roller (without gearbox)
- Very compact servo solution, versatile installation
- Optional: steel rolls, rubber coated rolls, segment rolls
- Solid, low-cost, low-maintenance complete system

IMPROVED EASE OF OPERATION (IN COMPARISON WITH EVD DG)

- Quick replaceable rolls
- Easily removable inlet for cleaning the rolls
- Improved adjustment of pilot release
- Adjustable roll basket with hold-down roll(s), inlet plates
- Compatible with mounting plate
- Optional material guides, mass scale

POLYVALENT SERVO CONTROL

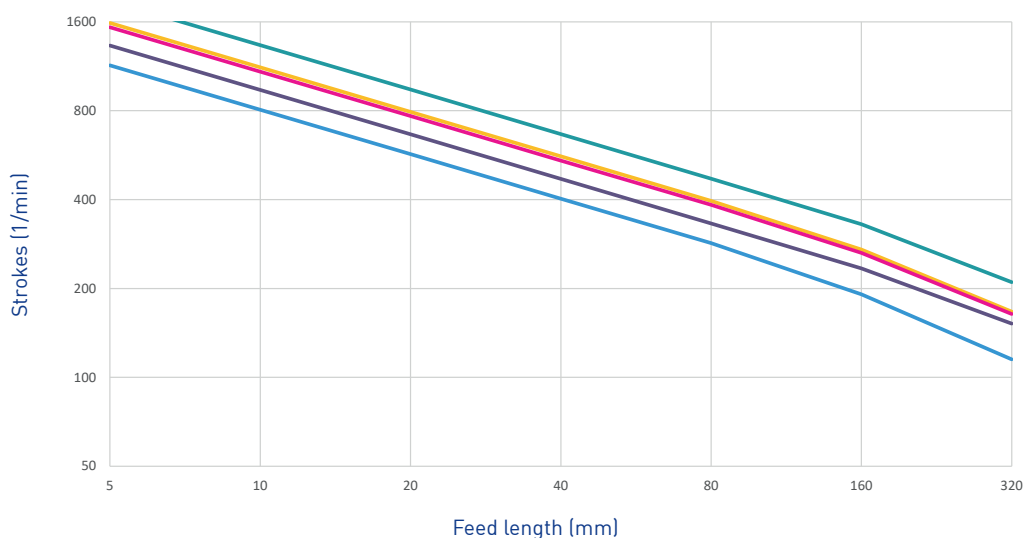
- Complete feed control with safety STO or IS/SLS
- Bus connections (EtherCAT; Profinet; Profibus)
- Signal box with threading aid



COMPACT ROLL FEED EV DR SE



PERFORMANCE

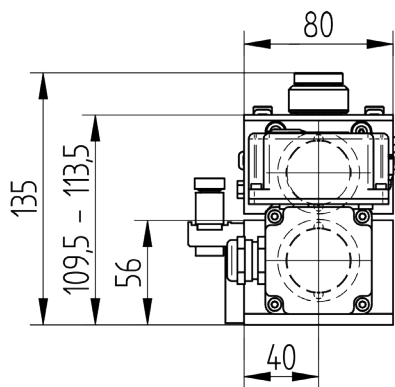


Performance curves (examples)*

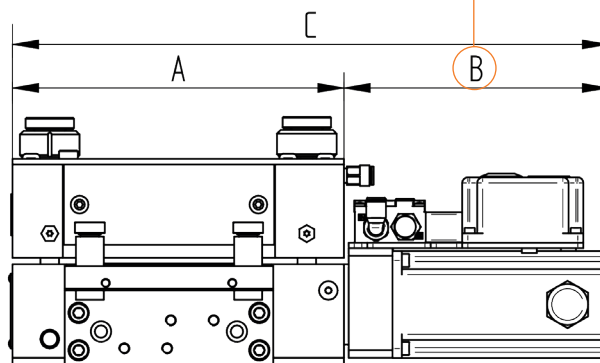
Loop weight / Feed angle
0 kg / 180°
0.5 kg / 120°
0.5 kg / 180°
0.5 kg / 240°
2 kg / 180°

*Calculation basis: EV DR 080 SE

TECHNICAL SPECIFICATIONS



Motor	B (mm)
STS 1.5	142
SDR 0.9	177



MODEL	EV DR SE	040	080	160	240
Support width A (mm)		138	178	258	338
Overall width C min. (mm)		280	320	400	480
Overall width C max. (mm)		315	355	435	515
Band thickness		max. 4 mm			
Roll diameter		44 mm			
Accuracy		+/- 0.03 mm			
Traction max.*		36 N			
Cross section (recommended)		max. 50 mm ²			

SWITZERLAND

Zehnder & Sommer AG
CH-3400 Burgdorf
info@zehndersommer.com
Tel +41 31 800 00 00

GERMANY

Zehnder & Sommer GmbH
DE-58452 Witten
info@zehndersommer.de
Tel +49 2302 981 60 30

zehndersommer.com
ZSswiss.com

*Depending on motor, control and supply.
Ask for a specific configuration and calculation.