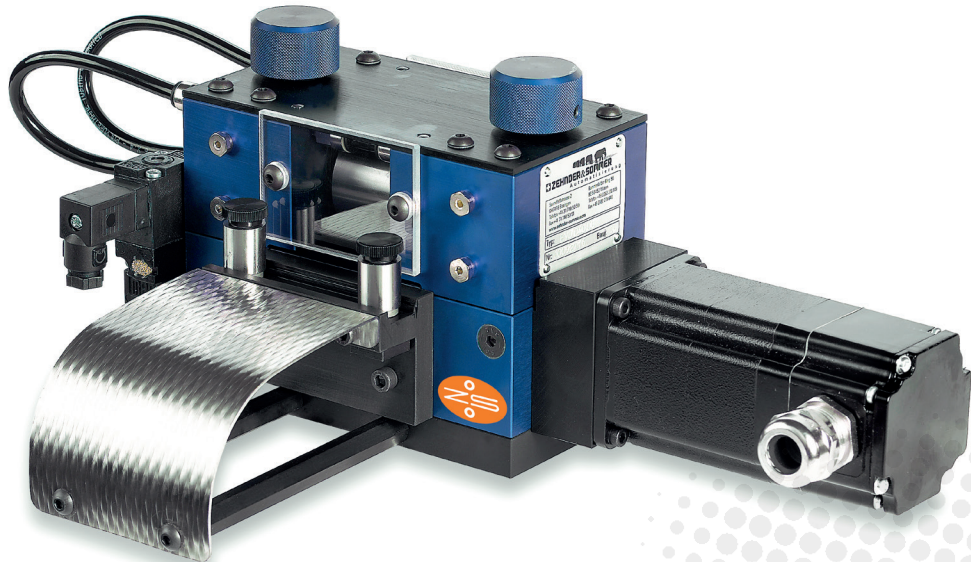


COMPACT ROLL FEED EVD DG ST

Model widths 40/80/120/220 mm – strip cross section max. 50 mm²



RELIABLE

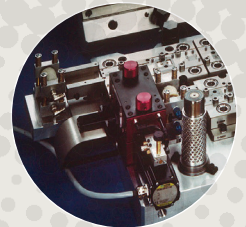
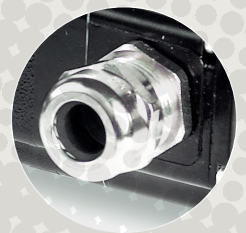
- Efficient stepping motor
- Direct driven lower roll
- Powerful, versatile programmable control

ADAPTABLE

- Very compact dimensions (e.g. integration in tooling)
- Various gear angles 90° or 180° and bracket gear units
- Motor position: longitudinal, lateral, above and below of feeder

VERSATILE

- Various roll surfaces and segmented rolls
- Push or pull functions, double/triple systems
- Integrate, retrofit or synchronize with any press



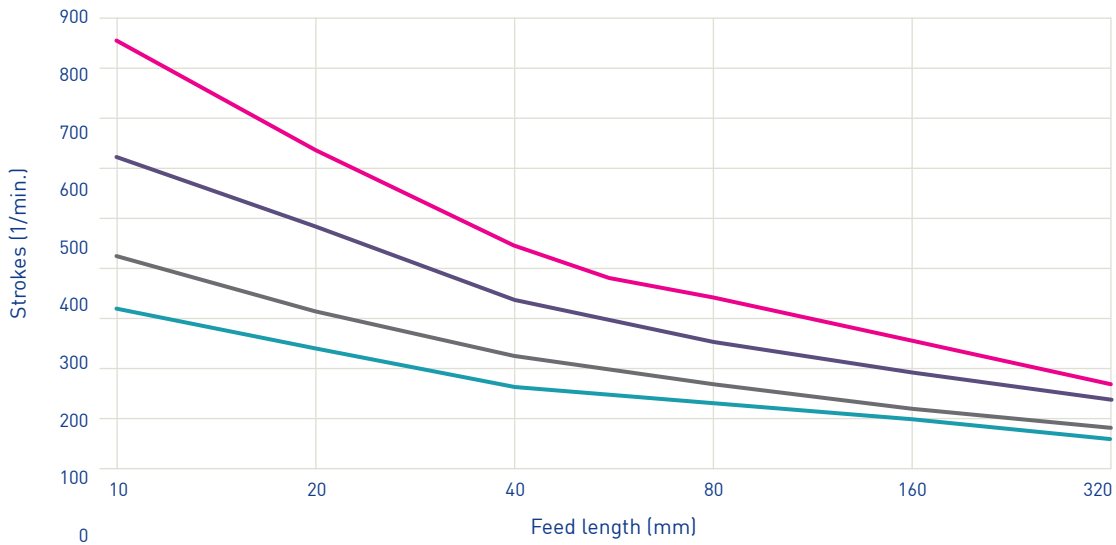
**ZEHNDER
SOMMER**

SWISS
PRECISION
FEEDING

COMPACT ROLL FEED EVD DG ST



PERFORMANCE

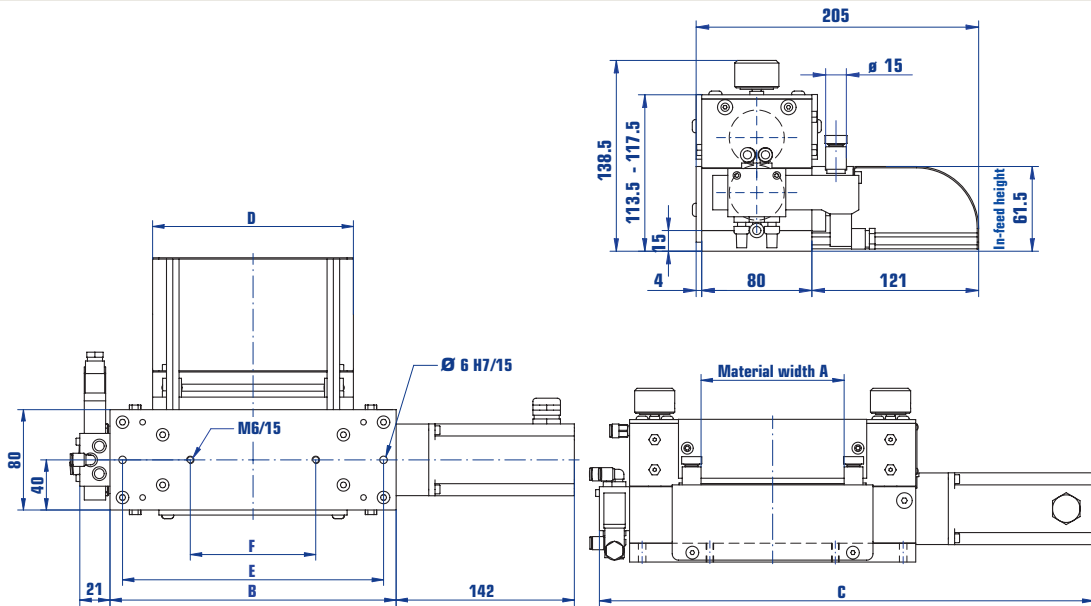


FEED ANGLE

- 240°
- 180°
- 120°
- 90°

Performance curve exemplary. Specific calculations on request.

TECHNICAL SPECIFICATIONS



MODEL EVD	040 DG ST	080 DG ST	120 DG ST	220 DG ST
Opening width A (mm)	40	80	120	220
Support width B (mm)	148	188	228	328
Overall width C (mm)	314	354	394	494
Infeed width D (mm)	80	120	160	260
Mounting distance E (mm)	128	168	208	308
Mounting distance F (mm)	100	100	100	200
Band thickness	max. 4 mm			
Roll diameter	40 mm			
Accuracy	+/- 0.10 mm			
Speed	max. 150 m/min.			
Traction	70 N			
Cross section (recommended)	max. 50 mm ²			

SWITZERLAND

Zehnder & Sommer AG
 CH-3400 Burgdorf
 info@zehndersommer.com
 Tel +41 31 740 50 50

GERMANY

Zehnder & Sommer GmbH
 DE-58452 Witten
 info@zehndersommer.de
 Tel +49 2302 276140

zehndersommer.com
 ZSswiss.com