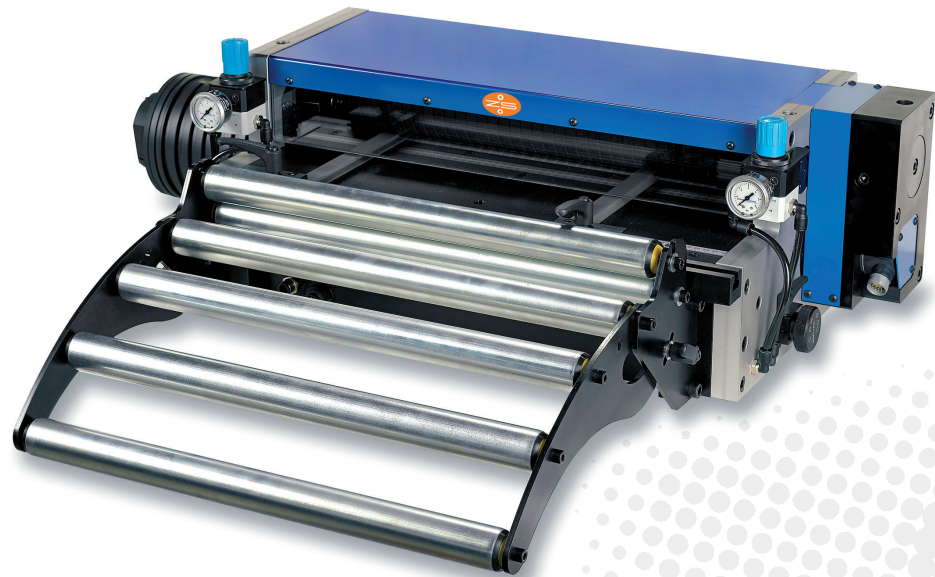


PERFORMANCE ROLL FEED EVS

Roll widths 520/620/820/910 mm – strip cross section max. 800 mm²



FAST PRODUCTION

- Highly dynamic torque servo motor up to 300 m/min.
- Individually adjustable precision guidance on both sides
- Powerful and versatile control

PRECISE FEEDING

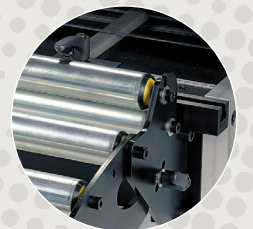
- Direct driven lower roll
- Synchronous drive of the rolls via torsion-free power coupling
- Precision mechanics and power control for maximum accuracy

VERSATILE USE

- Various roll surfaces, mechanical and motorized mounting brackets
- Push or pull functions, double / triple systems
- Integrate, retrofit or synchronize with any press

SAFE OPERATION

- Meets the highest safety standards including safety speed
- Precision sensor on the opposite side of the motor
- Electric safety brake



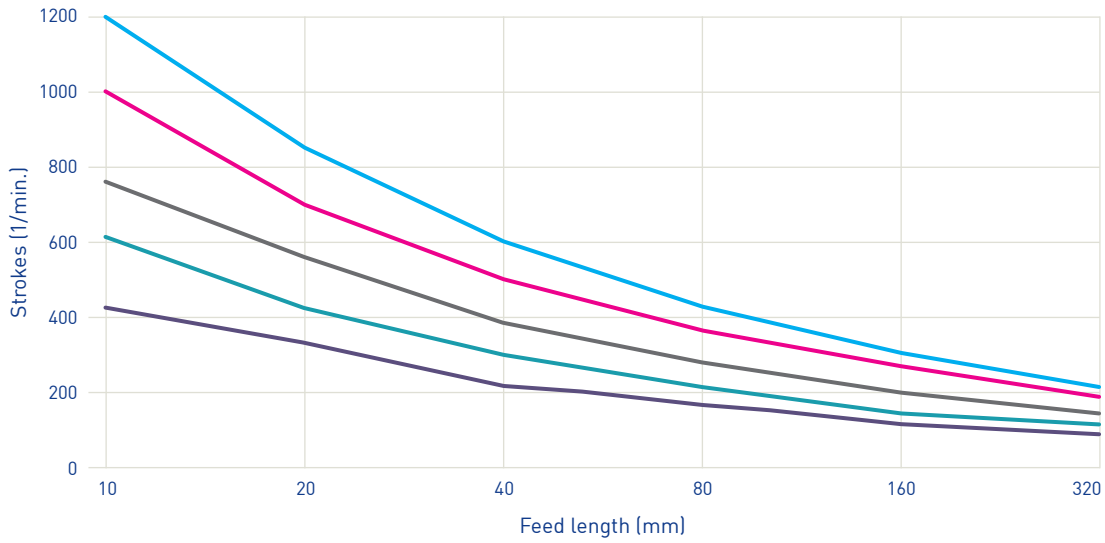
**ZEHNDER
SOMMER**

SWISS
PRECISION
FEEDING

PERFORMANCE ROLL FEED EVS



PERFORMANCE



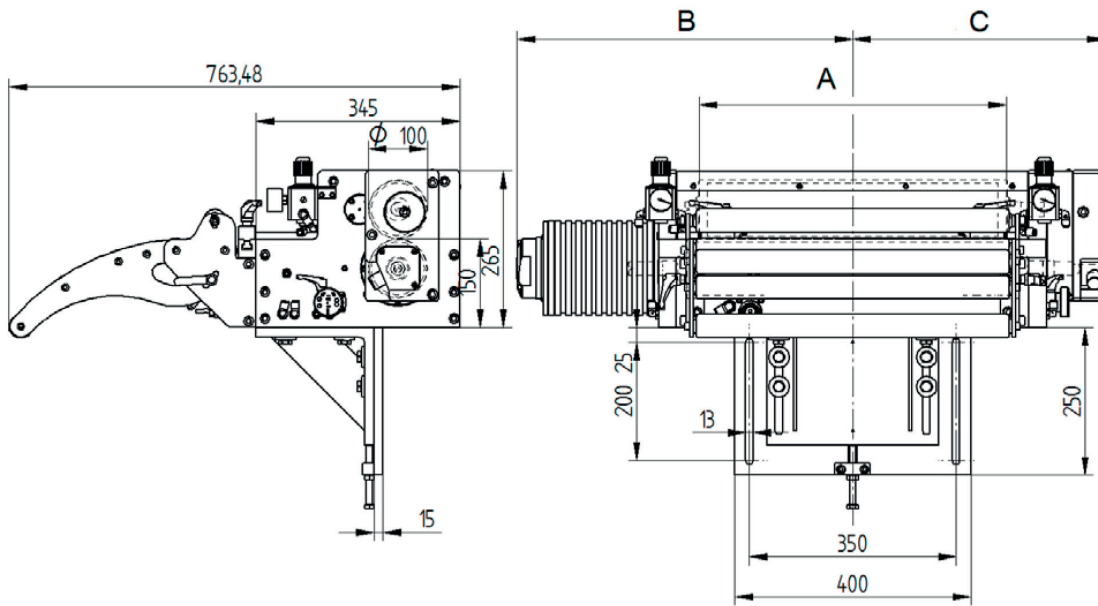
LEGEND

- 180° Feed angle
- kg Loop weight
- wc Water cooled

- 2 kg/180° (wc)
- 2 kg/270°
- 2 kg/180°
- 10 kg/180°
- 2 kg/90°

Example EVS 820
Material width 820mm

TECHNICAL SPECIFICATIONS



MODEL	EVS 520	EVS 620	EVS 820	EVS 910
Upper roll width	522	622	822	912
Troughput width / lower roll	555	655	855	945
Troughput infeed A (mm)	520	620	820	910
Motor side B (mm)	569	619	719	764
Gear side C (mm)	428	478	578	623
Overall width B+C (mm)	997	1097	1297	1387
Band thickness	max. 9 mm			
Roll diameter	100 mm			
Accuracy	+/- 0.02mm			
Speed	max. 310 m/min.			
Traction	550 N/1100 N			
Cross section (recommended)	max. 800 mm ²			

SWITZERLAND

Zehnder & Sommer AG
CH-3400 Burgdorf
info@zehndersommer.com
Tel +41 31 740 50 50

GERMANY

Zehnder & Sommer GmbH
DE-58452 Witten
info@zehndersommer.de
Tel +49 2302 276140

zehndersommer.com
ZSswiss.com